

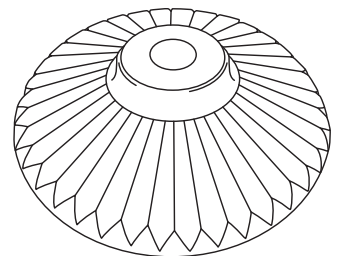
# SWING AWAY TRAILER BOTTOM



PNEUMATIC OR GRAVITY UNLOADING - EASY CLEAN OUT

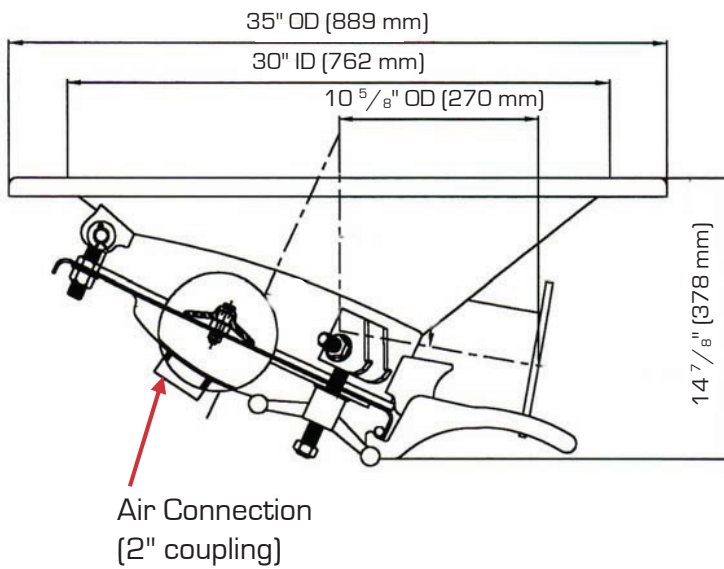
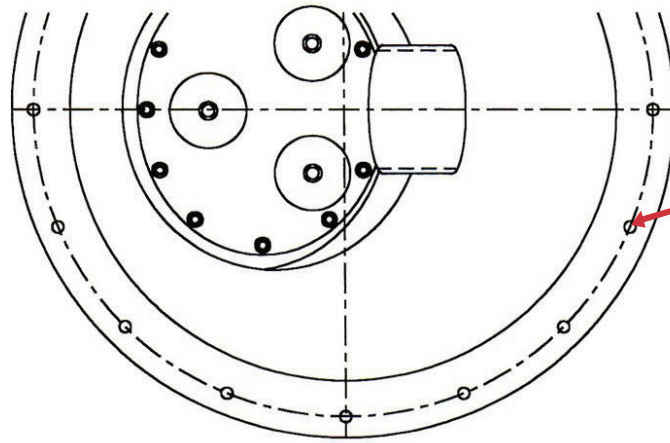


PNEUMATIC OR GRAVITY UNLOADING  
TWO WAY HAULING OF DIFFERENT PRODUCTS  
EASY CLEAN OUT  
5" OR 6" UNLOADING PIPES  
RUGGED DESIGN FOR LONG SERVICE  
BOLT ON OR WELD ON



Swing Away Bottoms offer the best in versatility for customers looking for multipurpose use of their bulk trailer. Swing Away Bottoms permit pneumatic or gravity discharge, allow for easy clean out and washing and can be used for two-way hauling of different products.

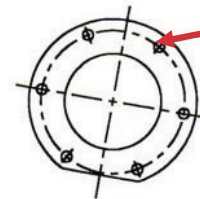
**INSIST ON GENUINE  
SOLIMAR DISKS WITH  
THE TRADEMARKED  
RADIAL RIDGE DESIGN**



Pneumatically Unload through a  
5" (or 6") Diameter Discharge

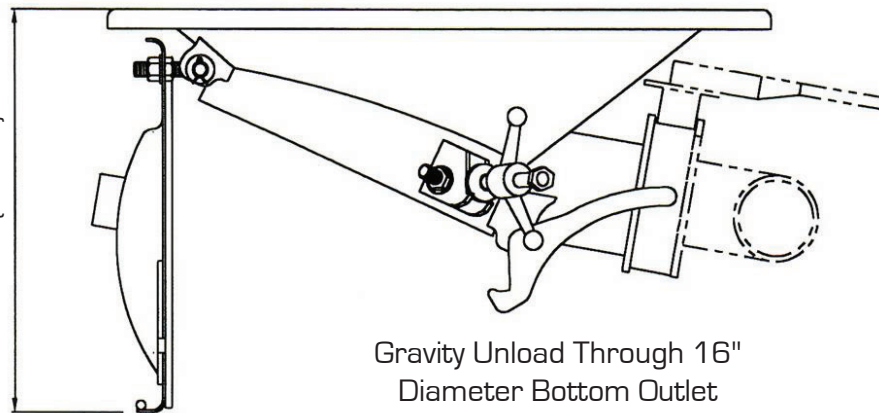
Max Clearance Closed  
(from mounting flange)

5" (127 mm)  
BFV Flange



Max Clearance Open  
(from mounting flange)

21 1/4" (540 mm)



Part #: 5500