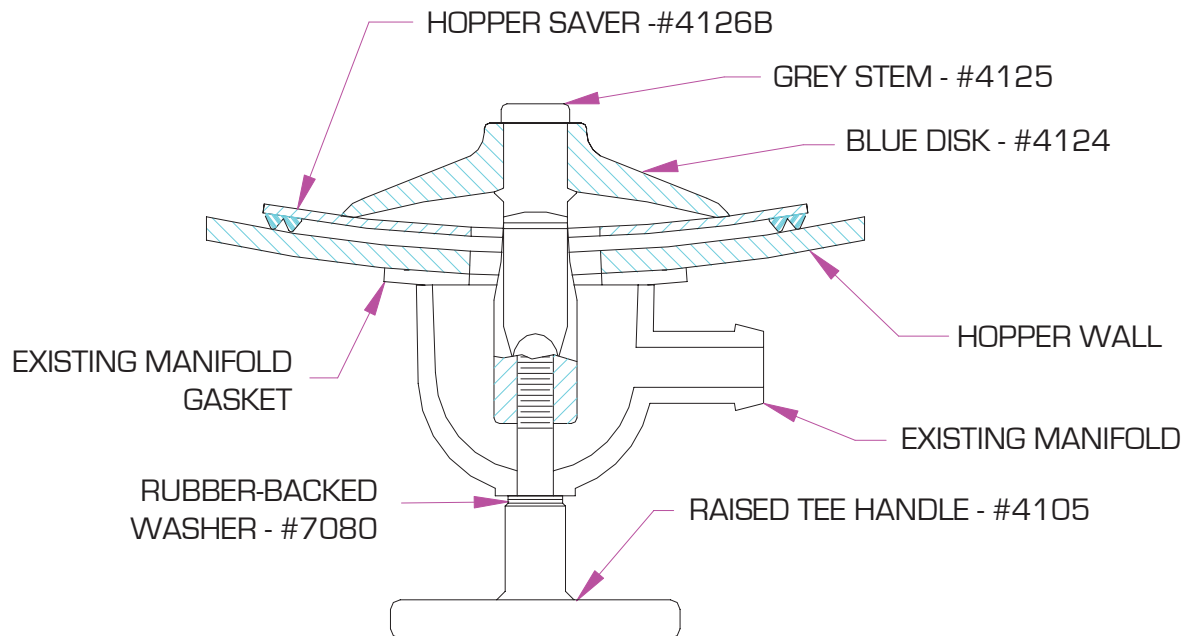


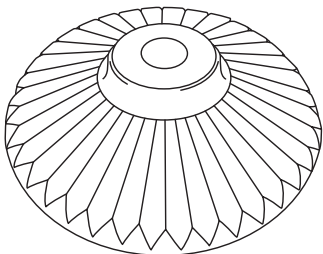
REPLACING HEIL FLO-CONES WITH SOLIMAR'S PATENTED TRAILER FLUIDIZER



- Solimar Fluidizers provide the optimum air volume for efficient unloading
- Improve trailer unloading rates by 25% over Heil Flo-Cones
- Solimar components can be used as a direct replacement



***The replacement parts above incorporate the existing manifold and manifold gasket. In order to receive the maximum benefit of the Solimar Trailer Fluidizer system, we recommend using the Solimar manifold, which is ported for 1-1/2" and 2" air lines.



**INSIST ON GENUINE
SOLIMAR DISKS WITH
THE TRADEMARKED
RADIAL RIDGE DESIGN**