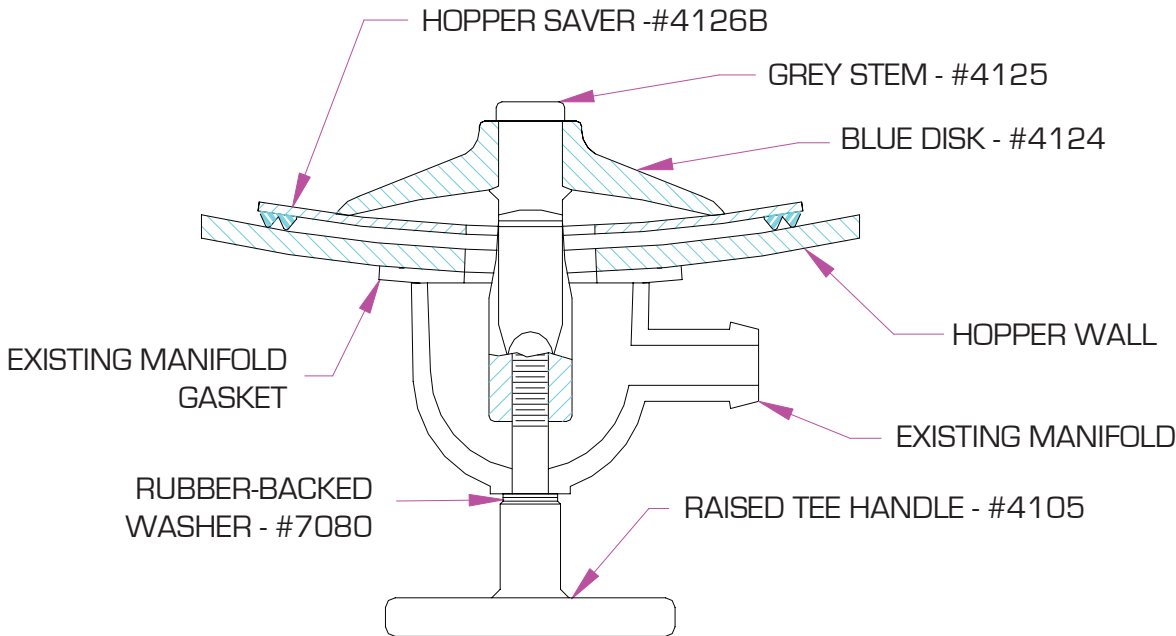




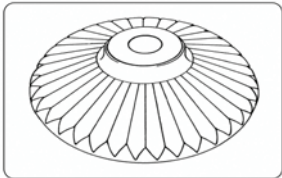
Since 1985

Replacing Heil Flo-Cones with Somiar's Patented Trailer Fluidizer

- Solimar Fluidizers provide the optimum air volume for efficient unloading
- Improve trailer unloading rates by 25% over Heil Flo-Cones
- Solimar components can be used as a direct replacement



***The replacement parts above incorporate the existing manifold and manifold gasket. In order to receive the maximum benefit of the Solimar Trailer Fluidizer system, we recommend using the Solimar manifold, which is ported for 1-1/2" and 2" air lines.



Insist on genuine Solimar disks with the trademarked Radial Ridge Design