

**SOLIMAR**

Since 1985

# External Mount Filter For Self Loading Trailers

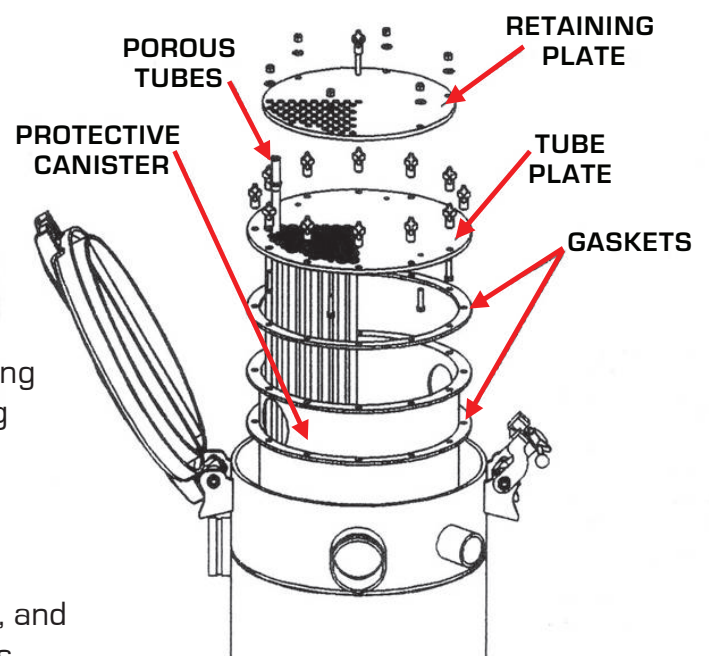
**UNIQUE FILTER MEDIA SIGNIFICANTLY REDUCES DUST**



- Large Filter Area in a Small Space
- Easy Inspection
- 120 ft<sup>2</sup> or 183 ft<sup>2</sup> of Surface Area
- 600 or 900 SCFM
- Longer Life

**External Filter System** significantly reduces dust using unique filtering media of porous polymer tubes. Using multiple 36" tubes, each with 1/2 ft<sup>2</sup> of filter area, the Solimar External Filter System can provide 120 ft<sup>2</sup> or 183 ft<sup>2</sup> of filter area depending on the Filter model.

The porous tubes are fitted in an aluminum tube plate, and held in place by an aluminum retaining plate. The tubes can be individually removed for inspection or replacement.



Solimar Pneumatics | Minneapolis, MN 55432 USA | 1.800.233.7109 | P: 763.574.1820

F: 763.574.1822 | email: [solimar@solimarpne.com](mailto:solimar@solimarpne.com) | [www.solimarpneumatics.com](http://www.solimarpneumatics.com)

Solimar, Solimar-USA and the Radial Ridge Design are trademarks of Solimar Pneumatics



Since 1985

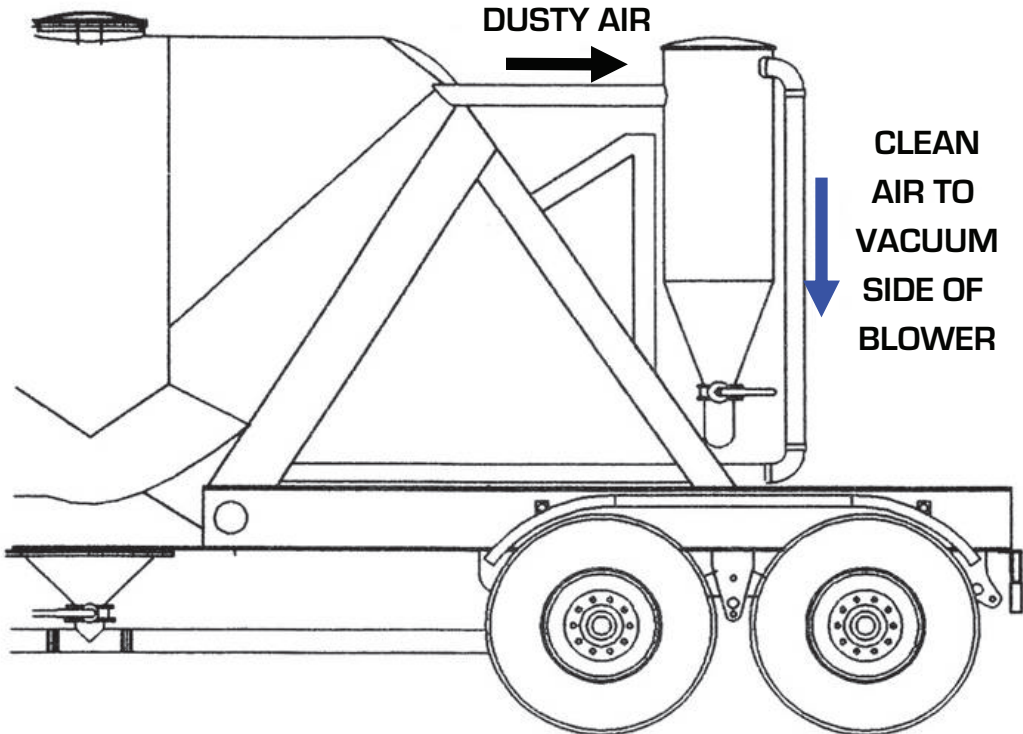
# External Mount Filter For Self Loading Trailers

The Solimar Filter System is available in two canister sizes, providing two options to meet your requirements.

Model	Canister Diameter		Filter Tube Length		Filter Area		Air Flow	
	Inches	MM	Inches	MM	Square Feet	Square Meters	SCFM	M <sup>3</sup> /Hr.
6071	20	508	36	914	120	11.1	600	1019
6070	24	609	36	914	183	17	900	1529



Equipped with a pressure relief valve to prevent the blower from starving for air and possible damage.



Solimar Pneumatics | Minneapolis, MN 55432 USA | 1.800.233.7109 | P: 763.574.1820

F: 763.574.1822 | email: solimar@solimarpne.com | www.solimarpneumatics.com

© 2014 Solimar Pneumatics. All Rights Reserved.