



Since 1985

Quick Clean Sanitary Fluidizer Kit

***Installs with Standard Tri-Clamp Equipment
For Quick & Easy Cleaning***

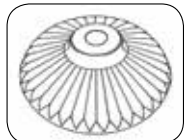
Sanitary Fluidizer Kit assemblies are ideal for installation in hoppers or bins that contain contaminant sensitive products and require frequent inspection and maintenance. Once installed, you can perform regular inspection and cleaning as required by any preventive maintenance program. All done from the outside, without confined space entry requirements, saving time and money.



Design Features

- Used with Solimar's proprietary silicone disk (Silo Fluidizer) that **will not plug, harden or crack**.
- Unique mounting kit utilizes a tri-clamp ferrule for easy installation and disassembly for inspection and/or cleaning.
- Stem design reduces external thread exposure and allows for direct mounting of press-lock air fitting.
- Stainless Steel and Food Grade UHMW plastic for 3A, FDA or any contaminant sensitive applications.
- Available for use with both Standard and Mini Fluidizers.
- Use with flat or conical hoppers.

**Insist on genuine Solimar
disks with the trademarked
Radial Ridge Design.**



Solimar Pneumatics | Minneapolis, MN 55432 USA | 1.800.233.7109 | P: 763.574.1820

F: 763.574.1822 | email: solimar@solimarpne.com | www.solimarpneumatics.com

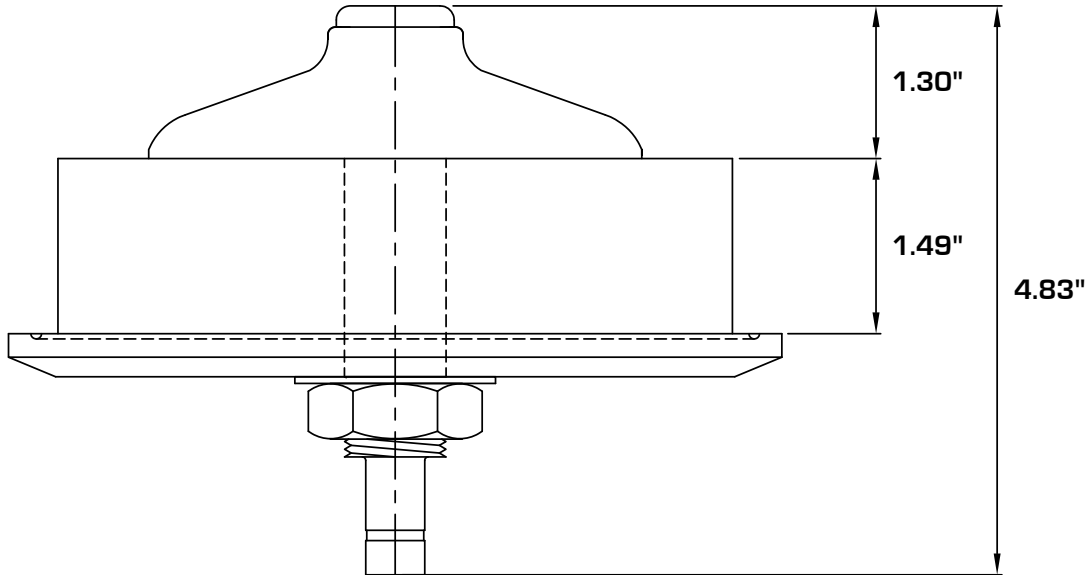
Solimar, Solimar-USA and the Radial Ridge Design are trademarks of Solimar Pneumatics



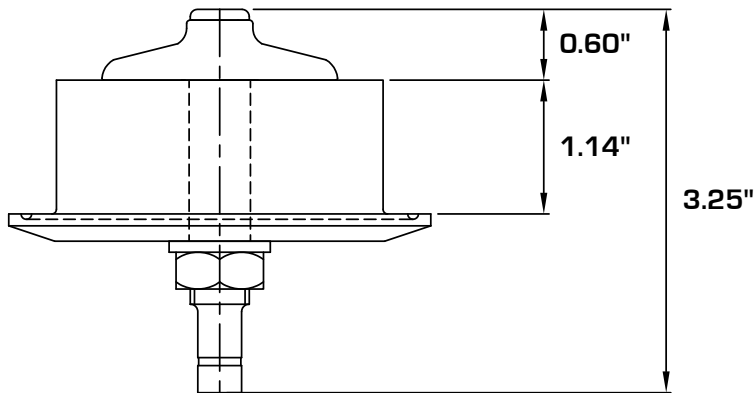
Since 1985

Quick Clean Sanitary Fluidizer Kit

General Assembly Dimensions



4220 Assembly Sized For 6" Tri-Clamp and Ferrule



4230 Assembly Sized For 3" Tri-Clamp and Ferrule

Accept No Substitutes

The Solimar Quick Clean Sanitary Fluidizer Kit is in a class by itself and is not interchangeable for reliability and durability with any other system. Accept no substitute. Specify Solimar Silo Fluidizers.