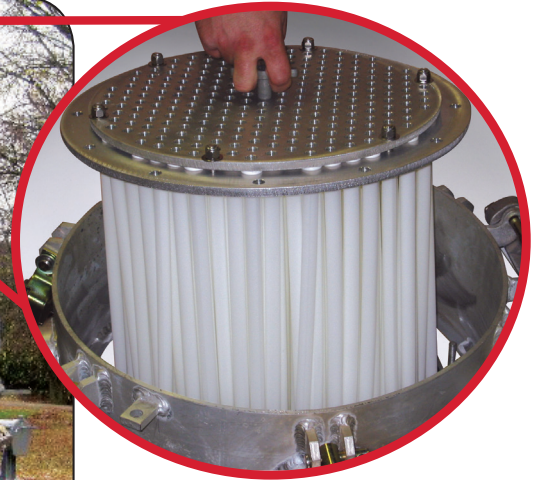


SOLIMAR

Since 1985

Internal Mount Filter For Self Loading Trailers

UNIQUE FILTER MEDIA SIGNIFICANTLY REDUCES DUST



Large Filter Area in a Small Space

Easy Inspection

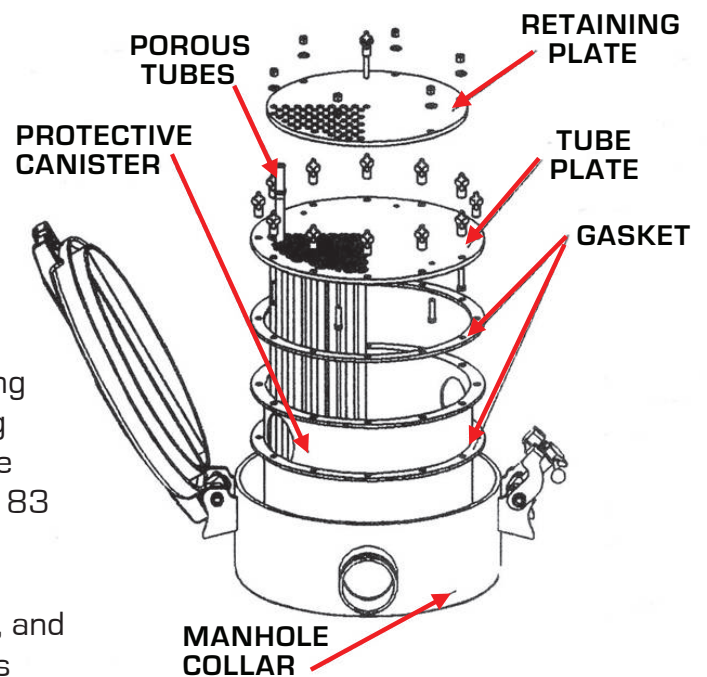
80 ft² to 183 ft² of Surface Area

400 to 900 SCFM

Longer Life

Internal Filter System significantly reduces dust using unique filtering media of porous polymer tubes. Using multiple tubes, each with up to 1/2 ft² of filter area, the Solimar Internal Filter System can provide 80 ft² to 183 ft² of filter area depending on the Filter model.

The porous tubes are fitted in an aluminum tube plate, and held in place by an aluminum retaining plate. The tubes can be individually removed for inspection or replacement.



Solimar Pneumatics | Minneapolis, MN 55432 USA | 1.800.233.7109 | P: 763.574.1820

F: 763.574.1822 | email: solimar@solimarpne.com | www.solimarpneumatics.com

Solimar, Solimar-USA and the Radial Ridge Design are trademarks of Solimar Pneumatics



Since 1985

Internal Mount Filter For Self Loading Trailers

The Solimar Internal Filter System is available in two different mounting ring sizes and two filter tube lengths, providing four options to meet your requirements.

Model	Mounting Ring Diameter		Filter Tube Length		Filter Area		Air Flow	
	Inches	MM	Inches	MM	Square Feet	Square Meters	SCFM	M ³ /Hr.
6054	20	508	24	609	80	7.4	400	680
6055	20	508	36	914	120	11.1	600	1019
6056	24	609	24	609	122	11.3	600	1019
6057	24	609	36	914	183	17	900	1529

