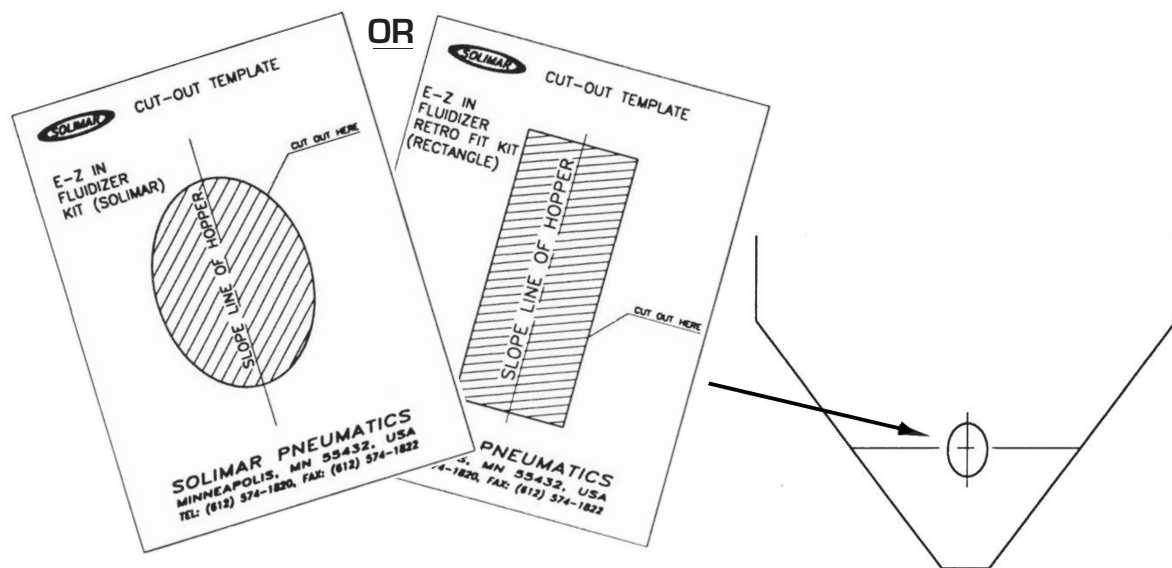
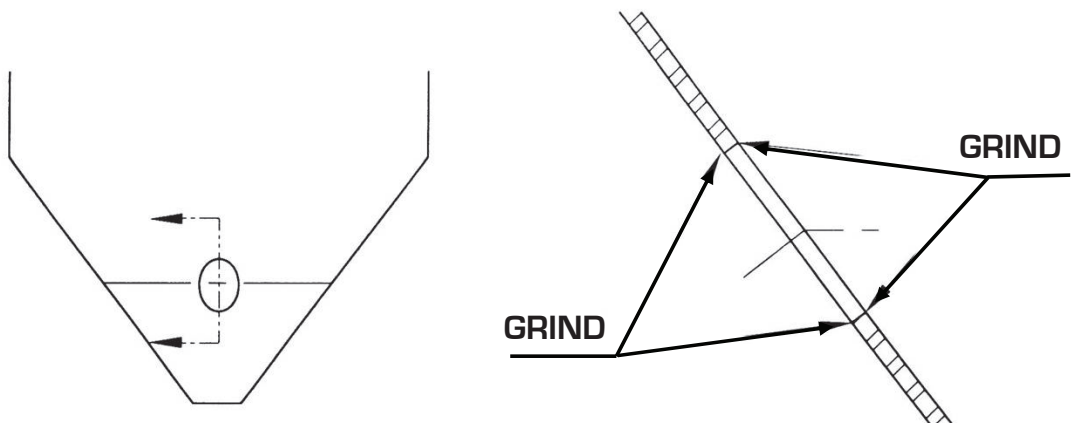


# Installation Instructions Ez-In Fluidizer

1. Using one of the cut out templates provided by Solimar, trace the pattern on the hopper. On conical hoppers make sure the mounting diameter at the center of the plate is greater than 24". Diameters of 24"-36" will require a curved plate when using the oval kit.

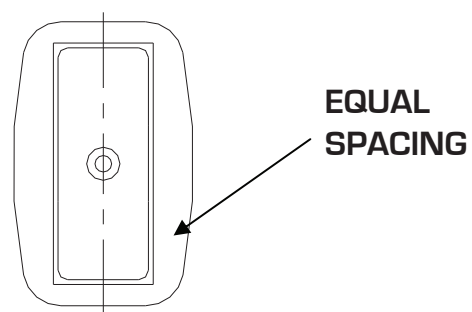
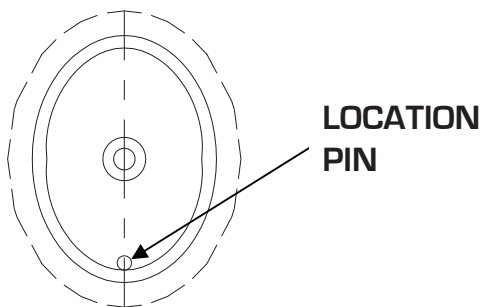


2. Flame cut traced pattern with cutting torch or other means.
3. Grind all surfaces of the cut opening – the inside of the hopper wall must be smooth and free of any burrs or slag.

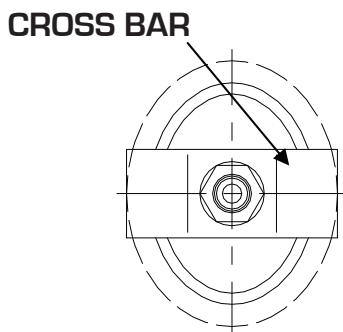


# Installation Instructions Ez-In Fluidizer

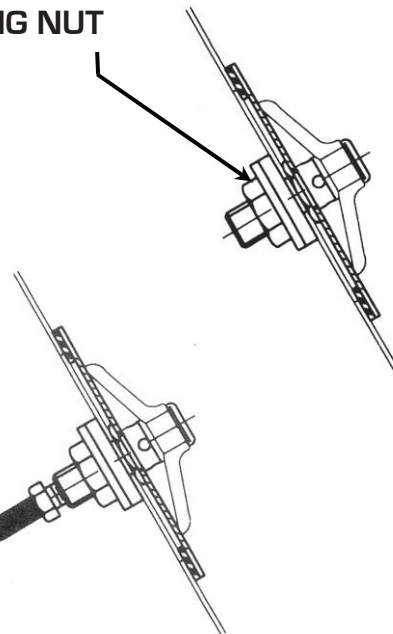
- 4.** Attach the Fluidizer assembly to the plate using the washer and thinner mounting nut. Insert Solimar EZ-In plate with Fluidizer assembly, making sure the location pin on the oval kits is resting at the bottom of the opening. On rectangle kits, make sure the plate is centered with equal spacing around the opening.



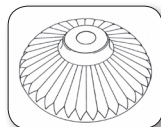
- 5.** On the outside of the hopper, attach cross bar to the Fluidizer plate assembly with the washer and clamping nut.



CLAMPING NUT



- 6.** Torque clamping nut to 20 ft. lbs [27 N •m].
- 7.** Attach the air supply line to the Fluidizer.



**Insist on genuine Solimar disks with  
the trademarked Radial Ridge Design.**